

XLYK

LINEAR SERIES

A series of linear downlight luminaires with a slimmer width ranging from just 25mm to 44mm in variations with trim, trimless or tilt. Sleek as it is pronounced, Xlyk linear downlights are designed with deep optics and reflector for excellent glare control to provide comfortable illumination.



Fixture Features



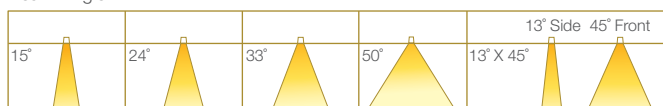
IP54

Module Colour Temperature Variation



ProART

Beam Angle



Driver Dimming Variation



(ND)



(PH)



(AN)



(DA)

XLYK 10

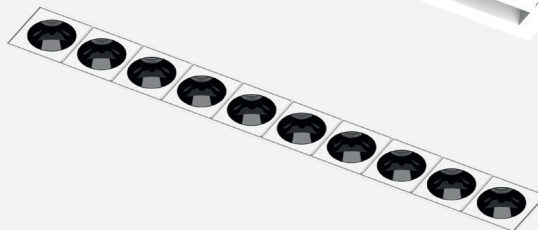
20W SLIM LINEAR RECESSED DOWNLIGHT



#FIX
#TRIM



#TILT
#TRIM



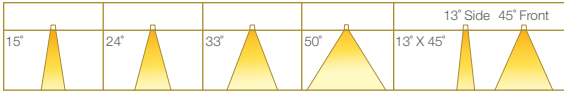






#FIX
#TRIMLESS

TECHNOLOGY AND FEATURES




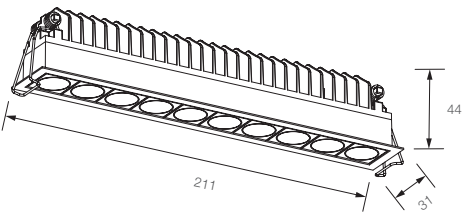
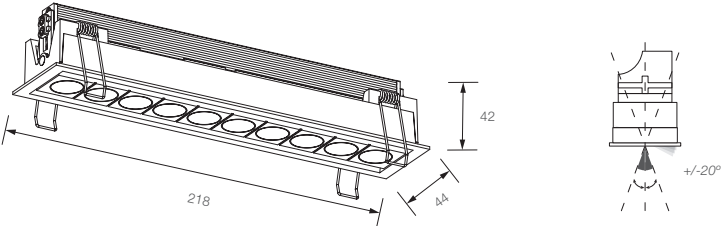

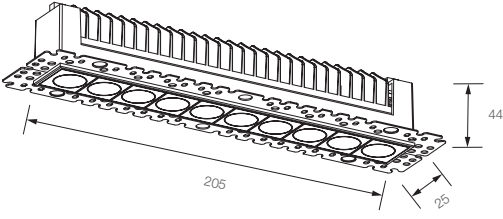

Low Flicker,
No Risk
(IEEE 1789)

AVAILABLE OPTIONS

FIXTURE COLOUR OPTIONS	Trim Colour Options	Reflector Colour Options			
	MATT WHITE RAL9003 MATT BLACK RAL9011	MATT WHITE RAL9003	MATT BLACK RAL9011	CHROME	CHROME BLACK
LED MODULE	SINGLE CCT				
	 				
DRIVER DIMMING	   				
	(ND) (PH) (AN) (DA)				

XLYK 10

DIMENSIONS (MM)

XLYK 10 TRIM			(FIX)
	204 x 25 cutout		(TILT)
XLYK 10 TRIMLESS			(FIX)
	208 x 28 cutout		
			
	212 x 38 cutout		

XLYK 10

SPECIFICATIONS

FIXTURE	
Family Type	Xlyk series
Fixture Colours	Matt white, matt black
Reflector Colours	Matt white, matt black, chrome and chrome black
Materials	Aluminium, plastic
Ingress Protection	IP54 for fix version, IP40 for tilt version
Weight	340g
LED MODULE & DRIVER	
Family Type	Built-in LED module (non-modular)
Typical Operating Voltage	30V
Typical Operating Current	700mA
System / Input Power	24W
Lifetime	50,000 hours (80% lumen maintenance at Ta = 25°C), B10

Beam Angles	15°, 24°, 33°, 50°, 13°x45°
Colour Temperatures	2700K, 3000K, 3500K, 4000K, 5000K
CRI	ProART (CRI~95)
SDCM	3 step MacAdam ellipse binning
Dimming	Non-dim, phase (leading & trailing edge), 0-10V, DALI
Mains Connection	Push-pin or screw terminals for convenient connection
Mains Voltage	220-240V, 50Hz
Power Factor	>0.9
Fire Safety	Glow wire test 850°C, UL94V-0, VW-1
Flammability Mark	F
Safety Class	Class 2
Standards	IEC 60598-1, IEC 61347-2-13
Regulatory Markings	CE, CB, CCC, RCM, BIS, RoHS

PHOTOMETRICS

XLYK 10

Beam Angle	Height (m)	E(0°)	Emax (lx)					XLYK 10			Luminous Flux (lm)
			15°	24°	33°	50°	13° x 45°	LED Power	System Power	CRI	3000K
15°	1	E(0°)	12932	7456	4274	2264	4132	20W	24W	ProART CRI~95	1531
		Cone Ø 0° (m)	0.24	0.41	0.58	0.86	0.24				
		Cone Ø 90° (m)	0.30	0.41	0.58	0.95	0.86				
24°	2	E(0°)	3233	1864	1069	566	1033	20W	24W	ProART CRI~95	1531
		Cone Ø 0° (m)	0.48	0.82	1.15	1.71	0.48				
		Cone Ø 90° (m)	0.60	0.83	1.15	1.89	1.71				
33°	3	E(0°)	1437	828	475	252	459	20W	24W	ProART CRI~95	1531
		Cone Ø 0° (m)	0.73	1.23	1.73	2.57	0.72				
		Cone Ø 90° (m)	0.90	1.24	1.73	2.84	2.57				
50°	4	E(0°)	808	466	267	142	258	20W	24W	ProART CRI~95	1531
		Cone Ø 0° (m)	0.97	1.64	2.31	3.43	0.95				
		Cone Ø 90° (m)	1.20	1.66	2.31	3.78	3.43				
13°x45°	5	E(0°)	517	298	171	91	165	20W	24W	ProART CRI~95	1531
		Cone Ø 0° (m)	1.21	2.05	2.89	4.29	1.19				
		Cone Ø 90° (m)	1.49	2.07	2.89	4.73	4.29				

Data are based on maximum output at highest CCT (6000K).
2700K will have a nominal data value of 10% lower than published.
Nominal CRI~95, equals to Ra>90~97, R9>50

XLYK 10

ORDERING MATRIX CHART

Fixture					LED Module					Driver											
Type	Trim Options		Angle		Colour		Reflector Colour		LED Power		Beam Angle		Colour Temp		CRI		Dimming				
XLYK-10	T	Trim	FX	Fix	WH	Matt White	WH	Matt White	20	20W	15	15°	27	2700K	PA	ProART	ND	Non-Dim			
				Tilt		Matt Black		Matt Black				24		24°				30	3000K	PH	Phase
			TL	Tilt	MB	Matt Black	MB	Matt Black	CR	Chrome	33	33°	35	3500K	AN	0-10V					
										CB				Chrome Black		50	50°	40	4000K	DA	DALI
													13x45		13°x45°	50		5000K			

example: XLYK-10.T.FX.WH.CB.20.15.30.PA.ND

Fixture					LED Module					Driver											
Type	Trim Options		Angle		Colour		Reflector Colour		LED Power		Beam Angle		Colour Temp		CRI		Dimming				
XLYK-10	X	Trimless	FX	Fix	WH	Matt White	WH	Matt White	20	20W	15	15°	27	2700K	PA	ProART	ND	Non-Dim			
				Tilt		Matt Black		Matt Black				24		24°				30	3000K	PH	Phase
			TL	Tilt	MB	Matt Black	MB	Matt Black	CR	Chrome	33	33°	35	3500K	AN	0-10V					
										CB				Chrome Black		50	50°	40	4000K	DA	DALI
													13x45		13°x45°	50		5000K			

example: XLYK-10.X.FX.WH.CB.20.15.30.PA.ND